

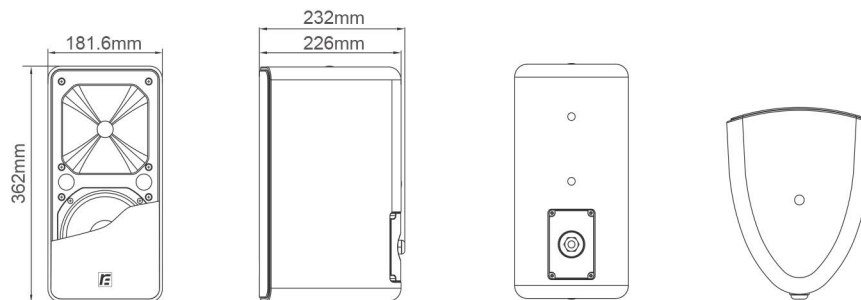
### 应用范围 Application

- ▶ 会议室、多功能厅、酒店、商场、主题公园、景区、户外广场
- ▶ Conference room, multi-function hall, hotel, shopping mall, Theme park, outdoor square

### 产品特性 Features

- ▶ MQ-6TP+ 是一款6"二分频音箱。箱体设计优先考虑全天候使用环境，采用工程塑胶注塑而成，一只6寸中低音单元和一只25芯高音驱动器。配置多种输出功率选择功能的定压定阻两用音箱。产品符合IP46国际标准。
- ▶ MQ-6TP+ is a 6" two-way speaker, design for all-weather application. It meets IP46 international standard.

### 产品尺寸 Product dimension



### 参数规格 Specifications

<b>系统类型</b>	二分频音箱	<b>System type</b>	Two-way speaker
<b>灵敏度(1W/1m)</b>	89dB	<b>Sensitivity</b>	89dB
<b>频率响应</b>	60Hz-18kHz(-3dB)/55Hz-20kHz(-10dB)	<b>Frequency response</b>	60Hz-18kHz(-3dB)/55Hz-20kHz(-10dB)
<b>低音单元</b>	1×6"(150mm)/1.5"音圈	<b>LF driver</b>	1×6" (150mm)/1.5" voice coil
<b>高音单元</b>	1×1"(25mm)/1"音圈	<b>HF driver</b>	1×1" (25mm)/1" voice coil
<b>额定功率(AES)</b>	100V(20W/40W/80W),16Ω(80W)	<b>Power rating (AES)</b>	100V(20W/40W/80W),16Ω(80W)
<b>最大声压级(连续/峰值)</b>	108dB/114dB	<b>SPL(continue/peak)</b>	108dB/114dB
<b>覆盖角度(H×V)</b>	90°×60°	<b>Dispersion(H × V)</b>	90°×60°
<b>分频点</b>	2.4kHz	<b>Crossover</b>	2.4kHz
<b>连接件(输入/输出)</b>	1×4针接线端子	<b>Connectors</b>	1×4 PIN
<b>尺寸(H×W×D)</b>	362×181.6×232mm	<b>Dimension(H×W×D)</b>	362×181.6×232mm
<b>重量</b>	6 kg	<b>Weight</b>	6 kg

