

L5

4×5寸二分频音箱 4×5" Two-way Speaker

L SERIES

应用范围 Application

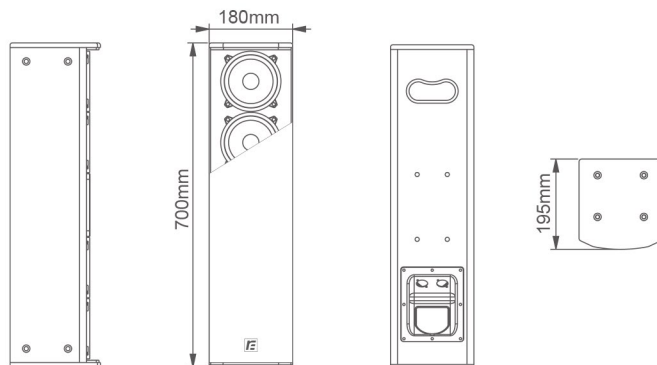
- ▶ 会议室、多功能厅的主扩声、会议厅、剧场的辅助扩声、娱乐包房的中置或补声音箱、餐厅、商场等室内场地
- ▶ Conference hall, Auditorium, Banquet hall, Concert hall, Church, Rock Bar, Small to medium touring system Supporting large-scale sound reinforcement system fills

产品特性 Features

- ▶ L5是一款紧凑型高声压级全频音柱扬声器，配置4×5寸中低音单元和1×1.7寸高音单元，搭配80°×60°指向性号角；喇叭单元排列采用等线对称式设计，既能让中低频有准确的指向性，又优化了系统相位响应，提供精确的声像定位和高清晰度的扩声；
- ▶ 拥有安装方便快捷的特性，多种吊装组合包括吊装、壁装、搭配超低音箱堆叠安装、搭配舞台返听架流动安装等。表面采用聚脲喷涂工艺，更结实耐磨，给会议室、多功能厅堂及小型流动扩声系统提供高清晰度解决方案。
- ▶ L5 is a compact high SPL full-frequency column loudspeaker, equipped with 4×5 inch medium bass units and 1×1.7 inch treble unit, with 80°×60°directional horn. The driver unit is arranged with isobaric symmetrical structure design, which can not only make the middle and low frequency have accurate dispersion, but also optimize the phase response of the system, and provide accurate PAN and high definition sound reinforcement.
- ▶ The system has various convenient and fast installation, include hoisting, wall mounting, ground stacking with subwoofer and as monitor. Coating with Polyurea ,more strong and wear-resistance,suit for multi-function hall,meeting room and small touring activity.



产品尺寸 Product dimension



参数规格 Specifications

系统类型	4×5寸二分频音箱	System type	4×5" Two-way Speaker
灵敏度(1W/1m)	98dB	Sensitivity(1W/1m)	98dB
频率响应	150Hz-20kHz(±2dB)/110Hz-20kHz(-10dB)	Frequency response	150Hz-20kHz(±2dB)/110Hz-20kHz(-10dB)
额定功率(AES)	200W	Power rating(AES)	200W
最大声压级(连续/峰值)	120dB/126dB	SPL(continue/peak)	120dB/126dB
标称覆盖角(H×V)	80°×60°	Dispersion(H×V)	80°×60°
标称阻抗	8Ω	Nominal Impedance	8Ω
低音单元	4×5"低音单元(1"音圈)	LF	4×5"LF unit(1"voice coil)
高音单元	1×1"出口驱动器(1.7"音圈)	HF	1×1"exit driver(1.7"voice coil)
连接件	2×NEUTRIK NL4MP四芯插座, 1+ 1-	Connectors	2×NEUTRIK NL4MP 4 pin socket, 1+ 1-
悬挂硬件	20×M8吊点	Fittings	20×M8 fittings
尺寸(H×W×D)	700×180×195mm	Dimension(H×W×D)	700×180×195mm
重量	13kg	Weight	13kg



广州市锐丰智能科技有限公司 A:广东省广州市番禺区市莲路石楼路段10号
T:020-3928 0043 F:020-39280123-8014 E:info@rfintell.com Z:511447 www.rfintell.com

Guangzhou Ruifeng Intelligence Technology Co., Ltd Address: No.10,Shilou Section,Shilian Road,Panyu District,Guangzhou,Guangdong,China
T:+86 2039280083 Mobile: +86 13609092324 F:+86-20-39280123-8014 E: mail:sales@rfintell.com Z:511447 www.rfintell.com