

应用范围 Application

▶会议室、多功能厅的主扩声、会议厅、剧场的辅助扩声、娱乐包房的中置或补声音箱、餐厅、商场等室内场地

▶Conference hall, Auditorium, Banquet hall, Concert hall, Church, Rock Bar, Small to medium touring system Supporting large-scale sound reinforcement system fills

产品特性 Features

▶L7是一款紧凑型高声压级全频柱扬声器，配置4×6.5寸中低音单元和1×1.7寸高音单元，搭配70°×70°指向性号角，喇叭单元排列采用等线对称式设计，既能让中低频有准确的指向性，又优化了系统相位响应，提供精确的声像定位和高清晰度的扩声；

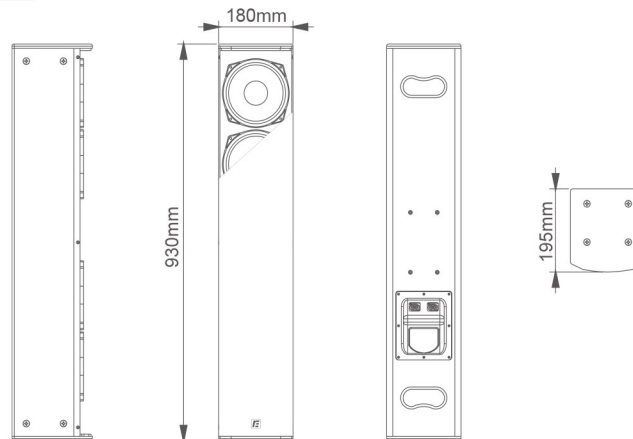
▶拥有安装方便快捷的特性，多种吊装组合包括吊装、壁挂、搭配超低音箱堆叠安装、搭配舞台返听架流动安装等。表面采用聚脲喷涂工艺，更结实耐磨，给会议室、多功能厅堂及小型流动扩声系统提供高清晰度解决方案。

▶L7 is a compact high SPL full-frequency column loudspeaker, equipped with 4×6.5 inch medium bass unit and 1×1.7 inch treble unit, with 70°×70°directional horn. The driver unit is arranged with isobaric symmetrical structure design, which can not only make the middle and low frequency have accurate dispersion, but also optimize the phase response of the system, and provide accurate PAN and high definition sound reinforcement.

▶The system has various convenient and fast installation, include flying, wall mounting, ground stacking with subwoofer and as monitor. Coating with Polyurea ,more strong and wear-resistance,suit for multi-function hall,meeting room and small touring activity.



产品尺寸 Product dimension



参数规格 Specifications

系统类型	4×6.5寸二分频音箱	System type	4×6.5" Two-way Speaker
灵敏度(1W/1m)	100dB	Sensitivity(1W/1m)	100dB
频率响应	130Hz~20kHz(±2dB)/110Hz~20kHz(-10dB)	Frequency response	130Hz~20kHz(±2dB)/110Hz~20kHz(-10dB)
额定功率(AES)	600W	Power rating(AES)	600W
最大声压级(连续/峰值)	124.5dB/130.5dB	SPL(continue/peak)	124.5dB/130.5dB
覆盖角度(H×V)	70°×70°	Dispersion(H×V)	70°×70°
标称阻抗	8Ω	Nominal Impedance	8Ω
低音单元	4×6.5寸低音单元(2寸音圈)	LF	4×6.5"LF unit(2" voice coil)
高音单元	1×1寸出口驱动器(1.7寸音圈)	HF	1×1"exit driver(1.7"voice coil)
连接件	2×NEUTRIK NL4MP四芯插座, 1+ 1-	Connectors	2×NEUTRIK NL4MP 4 pin socket , 1+ 1-
吊挂硬件	20×M8吊点	Fittings	20×M8 fittings
尺寸(H×W×D)	930×180×195mm	Dimension(H×W×D)	930×180×195mm
重量	22kg	Weight	22kg

